

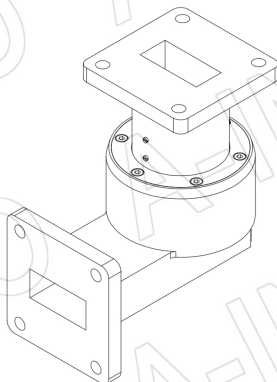
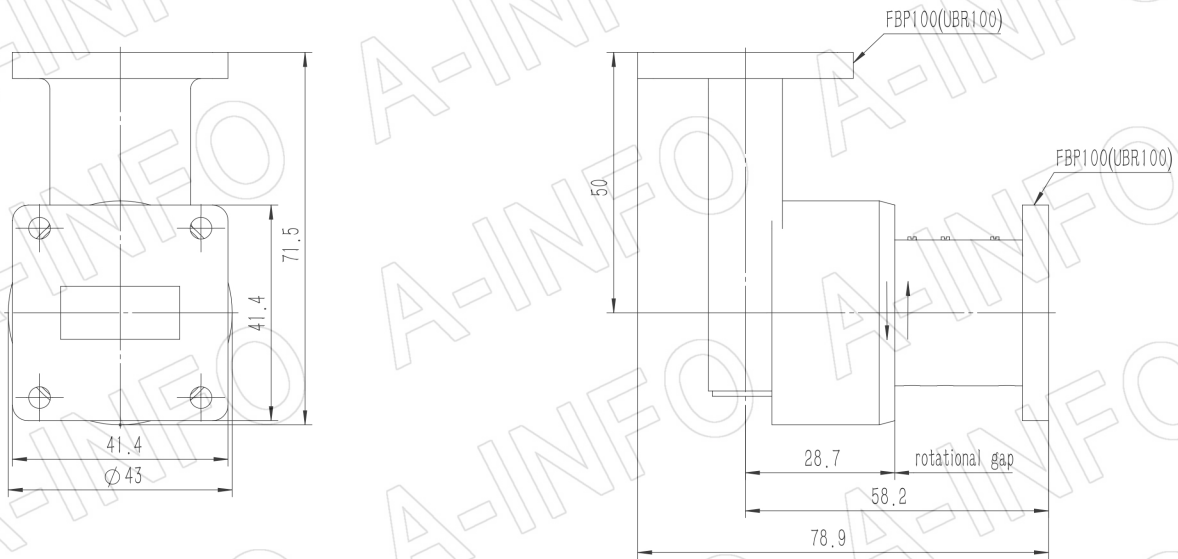
For reference only. See data sheet for the detailed specifications.

## Technical Specification

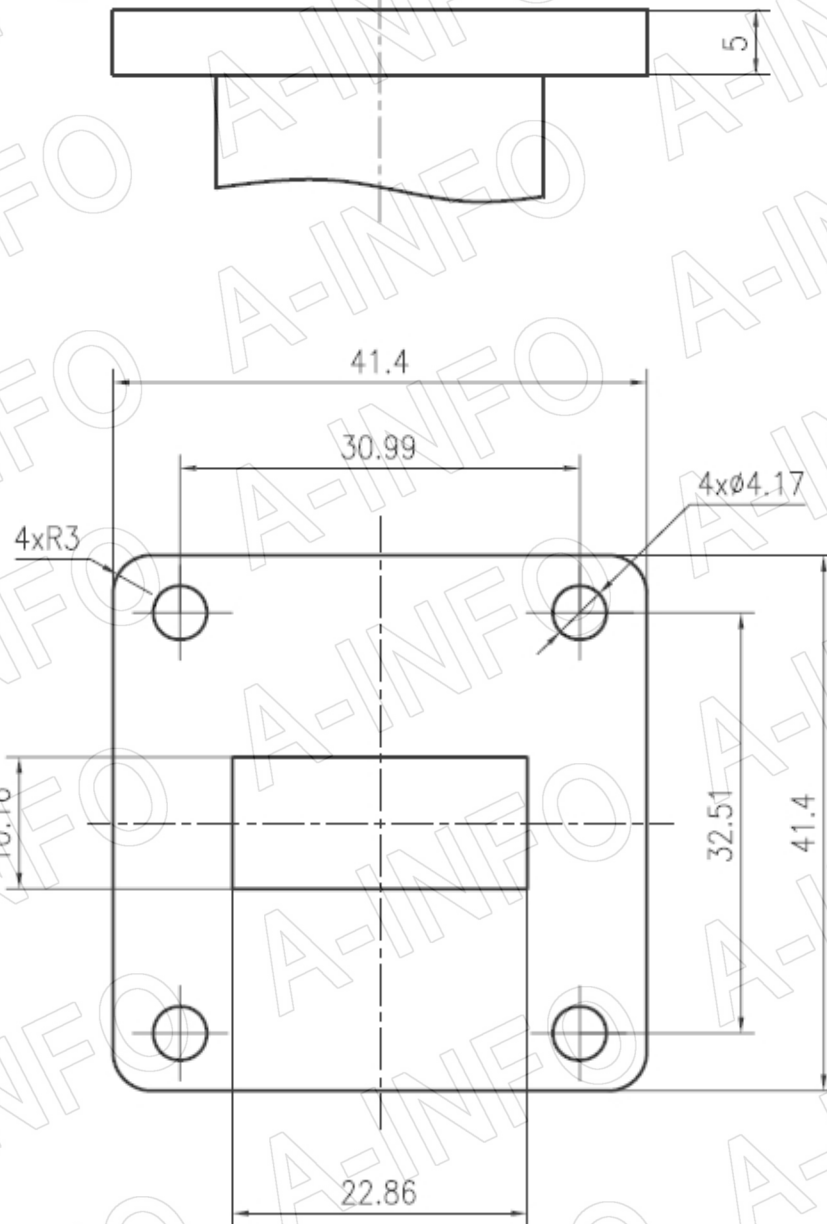


EIA WR	WR90
Frequency Range(GHz)	8.5 – 10.0
Insertion Loss(dB)	0.30 Max
VSWR	1.25:1 Max
Average Power(W CW)	400
Peak Power(KW)	150
Flange	FBP100(UBR100)
Material	Al
Size(mm)	78.9 x 43 x 71.5
Net Weight(Kg)	0.19 Around

## Outline Drawing (Size: mm)



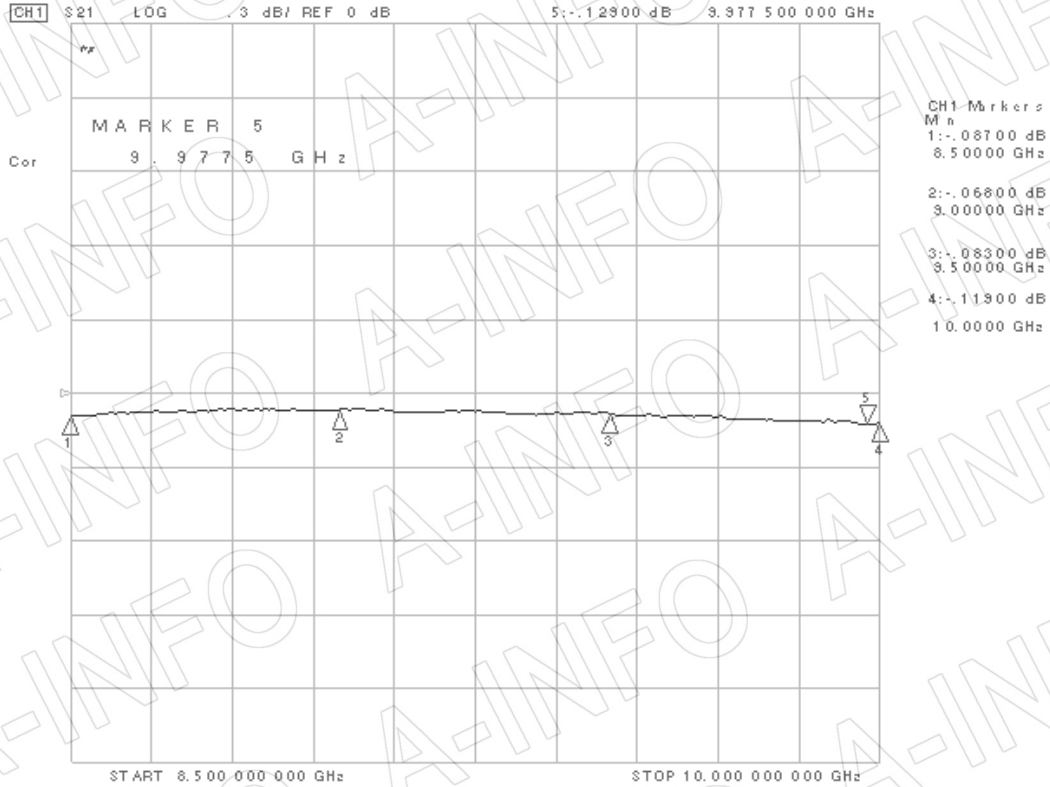
## Flange Drawing (Size: mm)



FBP100

## Test Results

I.L.



VSWR

